

## VDH-MP70 TOOL CARRIER MULTI-PURPOSE PILING RIG

Each project is unique and has its own foundation requirements. That's why Van den Heuvel has developed its own line of modular multi-purpose rigs that offer versatility for a wide range of piling operations, such as drilling, pressing, vibratory driving and impact driving. The VDH-MP70 Tool Carrier has been fully custom-designed for specific applications. The predecessors of the MP70 TC are the MP40 and the MP60.

### VDH-MP70TC

The VDH-MP70 TC is the third in the Multi Purpose range of rigs. The MP70 Tool Carrier is a further development of the MP70. The sliding table and side inclination cylinders on the Tool Carrier have been replaced by a 'chair' on the front of the rig, onto which three lifting cylinders are mounted. This makes the rig suitable for operations other than those involving a leader.

Examples of the type of work possible are:

- Low headroom drilling
- Working with a vibratory hammer on a four-part or telescopic mast
- Compacting

The MP70 TC combines the advantages of a piling rig such as hydraulically extendable undercarriage, extendable ballast, high power and high oil output with those of an excavator, where the tools are operated by hydraulic cylinders.

### SPECIALLY DESIGNED CABIN

The MP series has a specially designed cabin that puts operator comfort first.

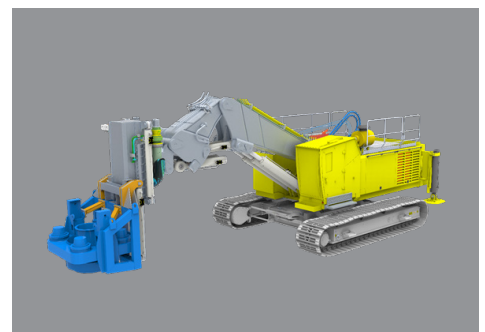
Features include:

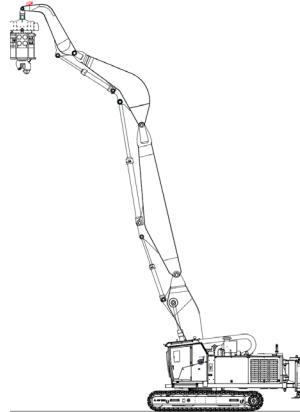
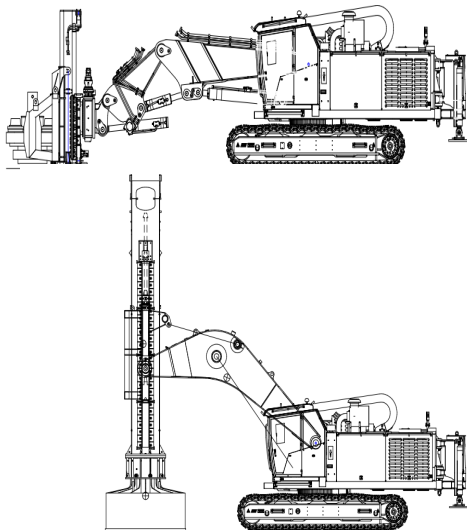
- Spacious cabin with lots of glass.
- A great deal of attention has been paid to all-round visibility as well as the view of the leader and the attachment.
- Excellent seating position and premium class seat.
- Ergonomic screens and switches.

In order to meet all of the wishes and requirements expressed by the market, Van den Heuvel involved customers and technicians in the design process. Consequently, the rig is optimally configured to meet the needs of all concerned.

### MODULAR RIG

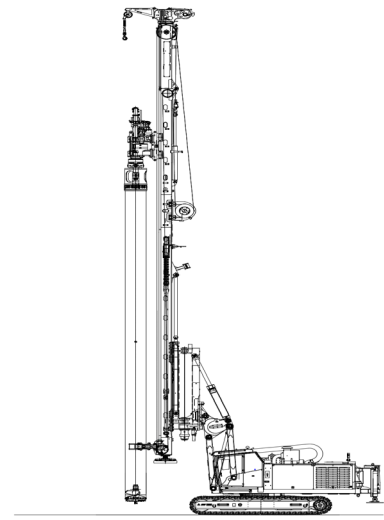
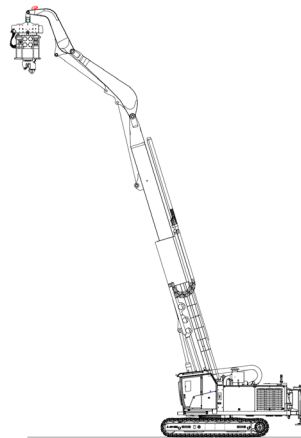
The rig's high performance is achieved through the reliability and quality of the makes, materials and components used. The MP70 TC has a powerful engine and large pumps; in other words, it delivers huge power and a lot of oil to drive the attachments. Like the MP40 and the MP60, the MP 70 draws on a passion for technical innovations. This allows it to match the customer's way of working and therefore maximise efficiency and effectiveness. The operator's cabin is noise and vibration-proof and fitted with a heater and air conditioning. The MP70 TC has two hydraulic outriggers mounted alongside the ballast weight at the rear of the machine. The rig's undercarriage can be hydraulically extended up to a width of 4,900 mm.





### THE MP70 TC IS AVAILABLE:

- With a rotary head
- As a sheet-piling rig with four-part mast
- As a sheet-piling rig with a telescopic mast
- As an RIC and RDC machine
- With vertical drainage
- With leader mast and parallelogram for pressing and other piling methods



All VDH machines are extensively and carefully tested and approved prior to delivery, are of the highest quality and meet the applicable standards. Van den Heuvel also provides maintenance and service for all the machines.

### READY FOR THE FUTURE

Van den Heuvel designs, modifies and builds various types of high-quality machines for special applications. VDH is therefore a succesful partner in the foundation sector. Production and modification take place entirely in-house, using state-of-the-art equipment, with expertise developed over many years. Everything is taken care of for the customer throughout the process, from the initial request to delivery of the machine, service and maintenance. Custom solutions result in perfect basic machines, which can be adapted to the needs of the customer or project.

